

# Ceramic Double Trap Filters

## 4.5 MHz ~ 6.5 MHz

**XT MW Ceramic Double Trap Filters  
(Murata TPWA Series Compatible)**

### ► Preview

Trap filter is a ceramic filter passes only particular frequency. To the contrary, Band Eliminate Filter (B. E. F.) which blocks or attenuates particular frequency is called trap.

Sound trap for TV set is one of the famous example of B. E. F. In TV set, video signal is used in picture amplitude circuit after video signal detection block, ceramic resonator is insert here and trap circuit is formed in order to eliminate sound signal involved in video signal.

Token Double Trap Filter XT MW Series consist of 2 wafers with 2 trap frequencies. Recommended for Multi standard set.

Features with good performance of attenuation and space saving with 3-terminal type. The characteristic of a three-terminal ceramic trap equals two two-terminal ceramic trap. Three-terminal ceramic trap has a monolith structure formed from 2 ceramic resonators.

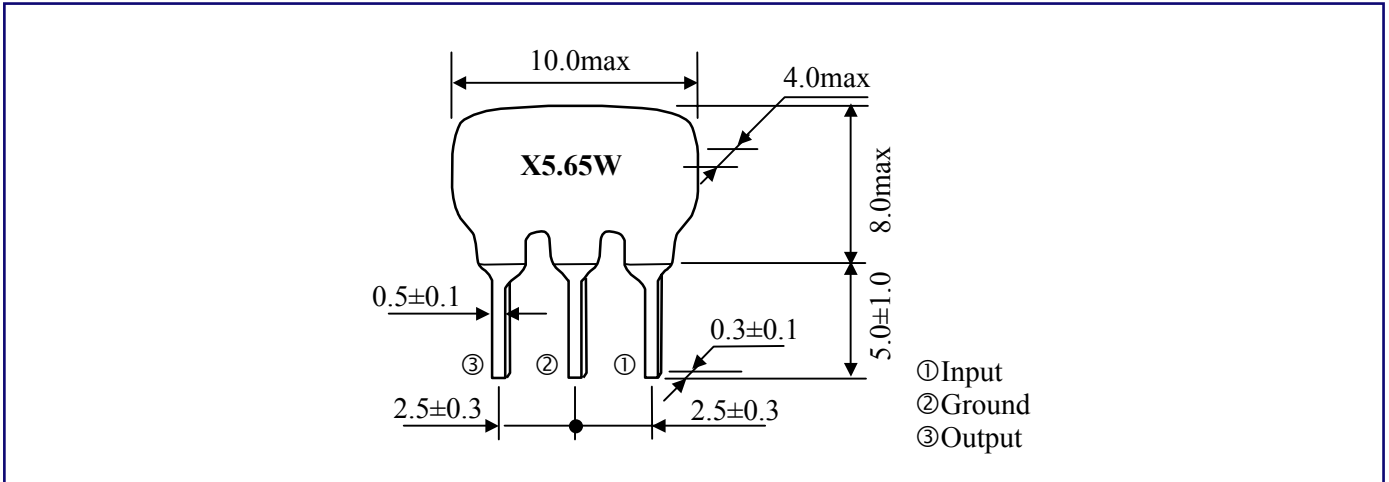
Full line products meet RoHS compliant. Token will also produce devices outside these specifications to meet specific customer requirements, please contact our sales for more information.



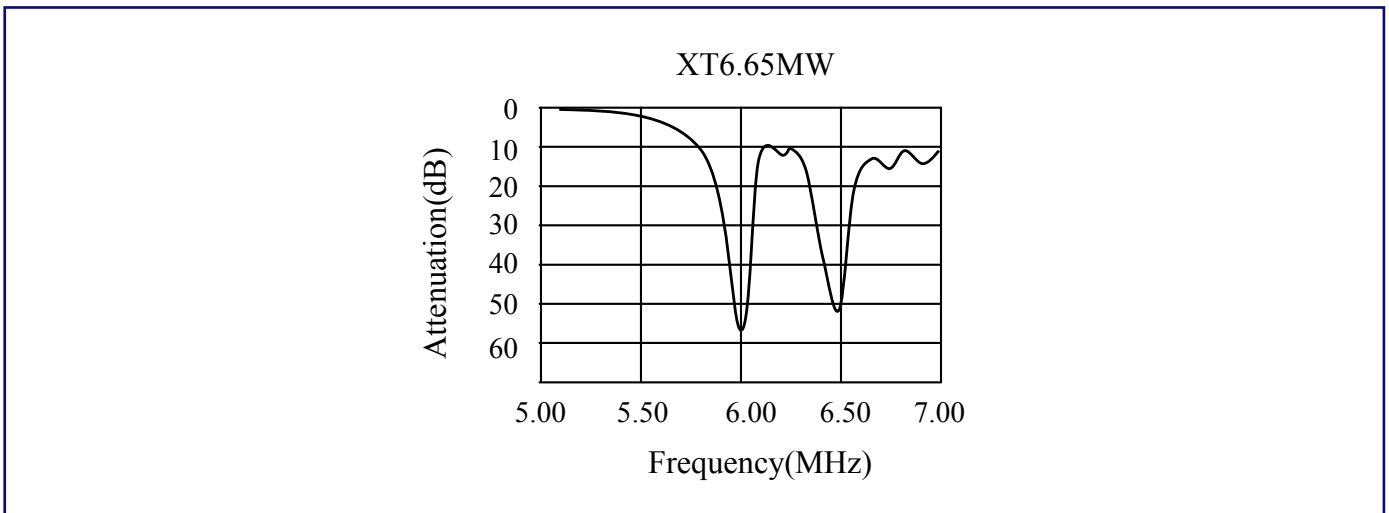
### XTMW Double Trap Filter Quick Selection :

- Dimensions (Unit: mm): 10.0 max x 8.0 max x 4.0 max.
- XT4.47MW Cener Frequency f01:4.500MHz; Cener Frequency f02:4.724MHz;  
30db min @f01& f02; 50(kHz)min@f01 30dB Att BW
- XT4.60MW Cener Frequency f01:4.500MHz; Cener Frequency f02:6.000MHz;  
30db min @f01& f02; 50(kHz)min@f01 30dB Att BW
- XT5.57MW Cener Frequency f01:5.500MHz; Cener Frequency f02:5.742MHz;  
30db min @f01& f02; 50(kHz)min@f01 30dB Att BW
- XT5.60MW Cener Frequency f01:5.500MHz; Cener Frequency f02:6.000MHz;  
30db min @f01& f02; 50(kHz)min@f01 30dB Att BW
- XT5.65MW Cener Frequency f01:5.500MHz; Cener Frequency f02:6.500MHz;  
30db min @f01& f02; 50(kHz)min@f01 30dB Att BW
- XT6.65MW Cener Frequency f01:6.000MHz; Cener Frequency f02:6.500MHz;  
30db min @f01& f02; 70(kHz)min@f01 30dB Att BW

## Dimensions



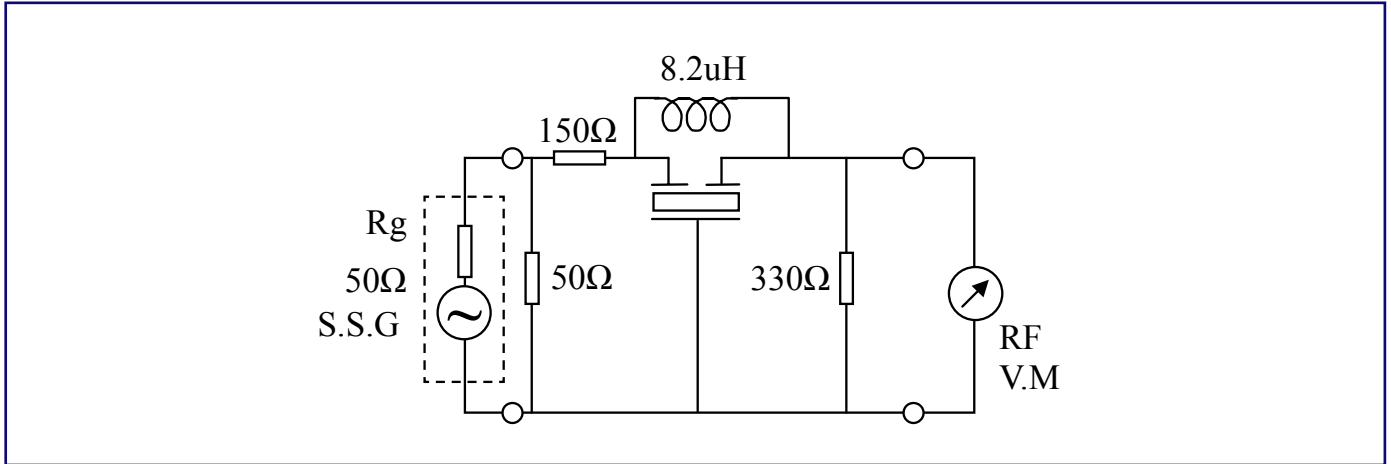
## Characteristics



Part Number	CenterFrequency (fo1)(MHz)	CenterFrequency (fo2)(MHz)	Attenuation(at fo1)(dB)min	Attenuation(at fo2)(dB)min	30dBAttenuation BW(fo1)(kHz)min
XT4.47MW	4.500	4.724	30	30	50
XT4.60MW	4.500	6.000	30	30	50
XT5.57MW	5.500	5.742	30	30	50
XT5.60MW	5.500	6.000	30	30	50
XT5.65MW	5.500	6.500	30	30	50
XT6.65MW	6.000	6.500	30	30	70

Note : The level at 1MHz shall be made for a reference(0dB).

## ▶ Test Circuit



## ▶ How to Order

XT4.47MW

❶

❶ Part Number

P

❷

❷ Package

*Back to 1st Page - Ceramic Trap Filters Double Type(XT MW)*